

## Specification Sheet LX 962

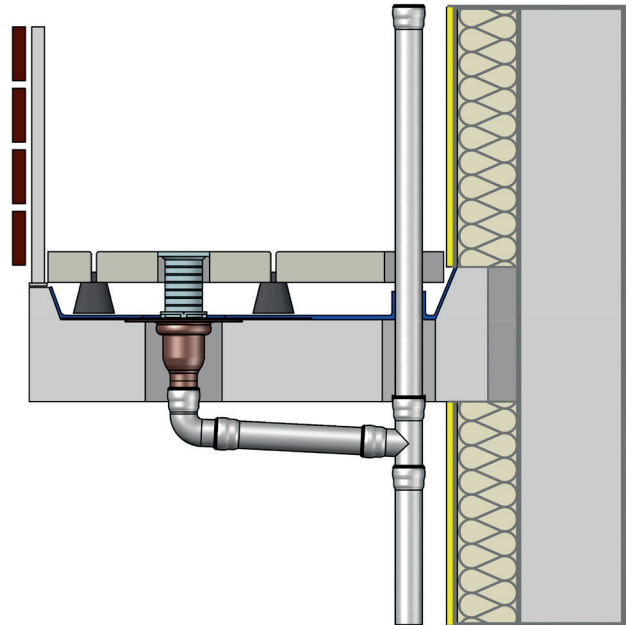
### Balcony Drainage Series F, vertical runoff,

Main drainage

Gravity flow

Silent

Discharge:	1.05 l/s
Water height:	35 mm
Roof penetration:	140 mm
Diameter:	DN 50
LX-Number:	LX 962
Weir height:	0 mm
Drain:	ventilated
Downpipe:	without downpipe
Downpipe height:	-
Drainage:	into ground pipe
Flange:	connecting sleeve



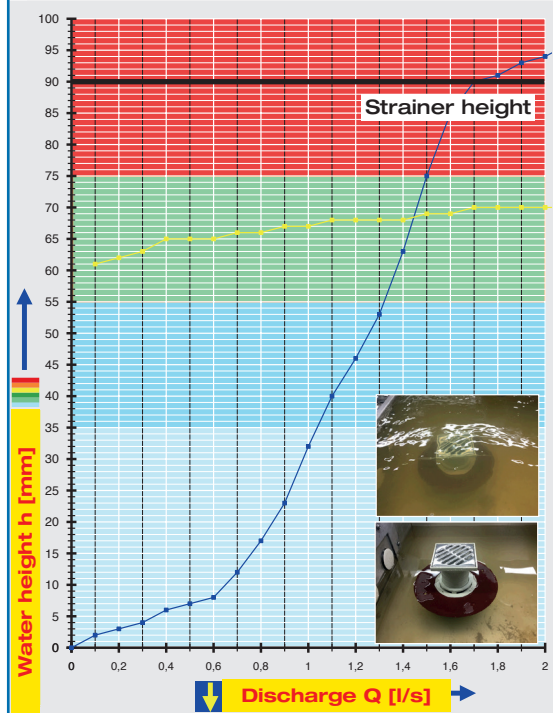
#### LX 962 Piece list

1 x Art.-No. Choose drain on page 2!

1 x Art.-No. 00911.050X, LORO-X Sealing elements

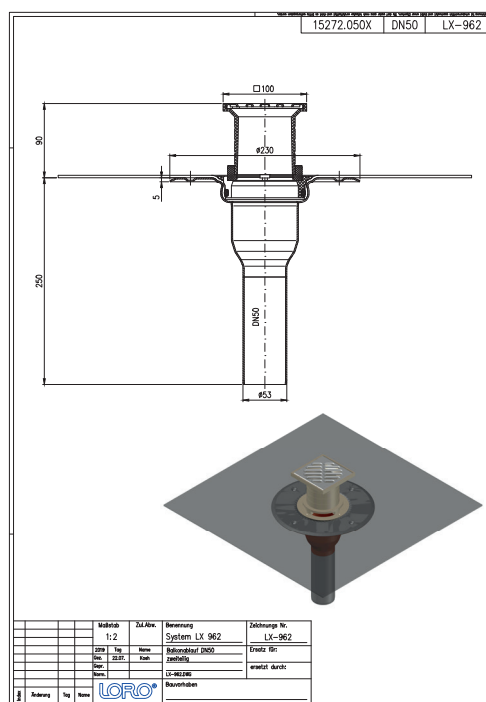
1 x Art.-No. 00986.000X, LORO-X Lubricant

#### hQ - Discharge curve



System power

#### CAD



System shape

Water height	mm	5	10	15	20	25	30	35	40	45	50	55	60	65	70	75	80
Discharge	l/s	0,35	0,65	0,75	0,85	0,9	1,0	1,05	1,1	1,2	1,25	1,3	1,4	1,4	1,45	1,5	1,55
<b>Silent</b>																	

Please choose a suitable drain!

DN 50

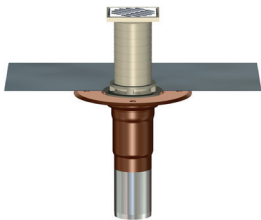
#### without thermal insulation

##### LX962-12X

Drain Art.-No. 15272.050X

with connecting sleeve,  
**Series F**

weight: 2.2 kg

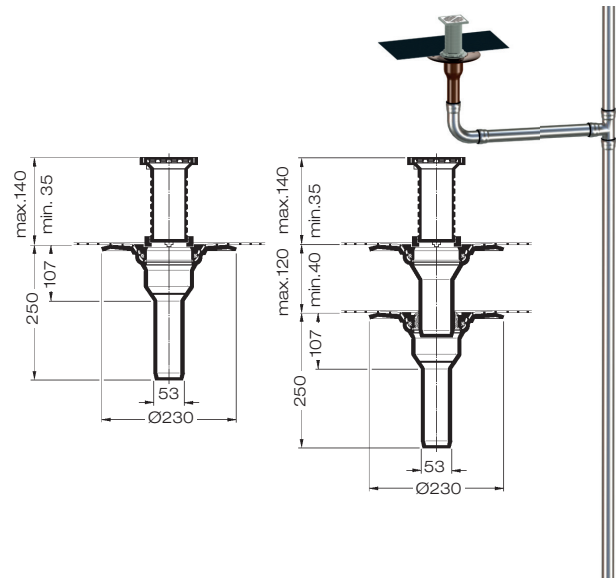
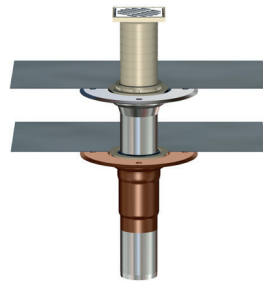


##### LX962-13X

Drain Art.-No. 15282.050X

with connecting sleeve,  
**Series F**

weight: 4.1 kg



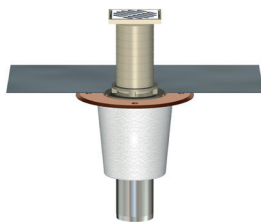
#### with thermal insulation

##### LX962-14X

Drain Art.-No. 15372.050X

with connecting sleeve,  
**Series F**

weight: 2.5 kg



##### LX962-15X

Drain Art.-No. 15382.050X

with connecting sleeve,  
**Series F**

weight: 4.3 kg

